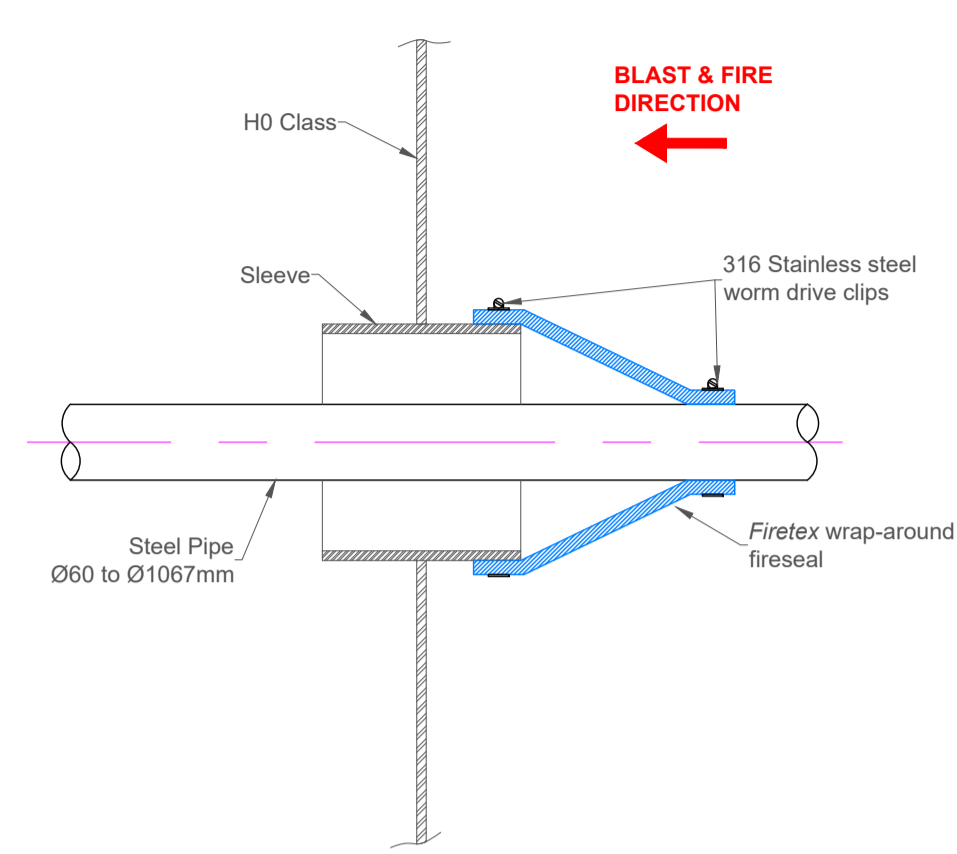
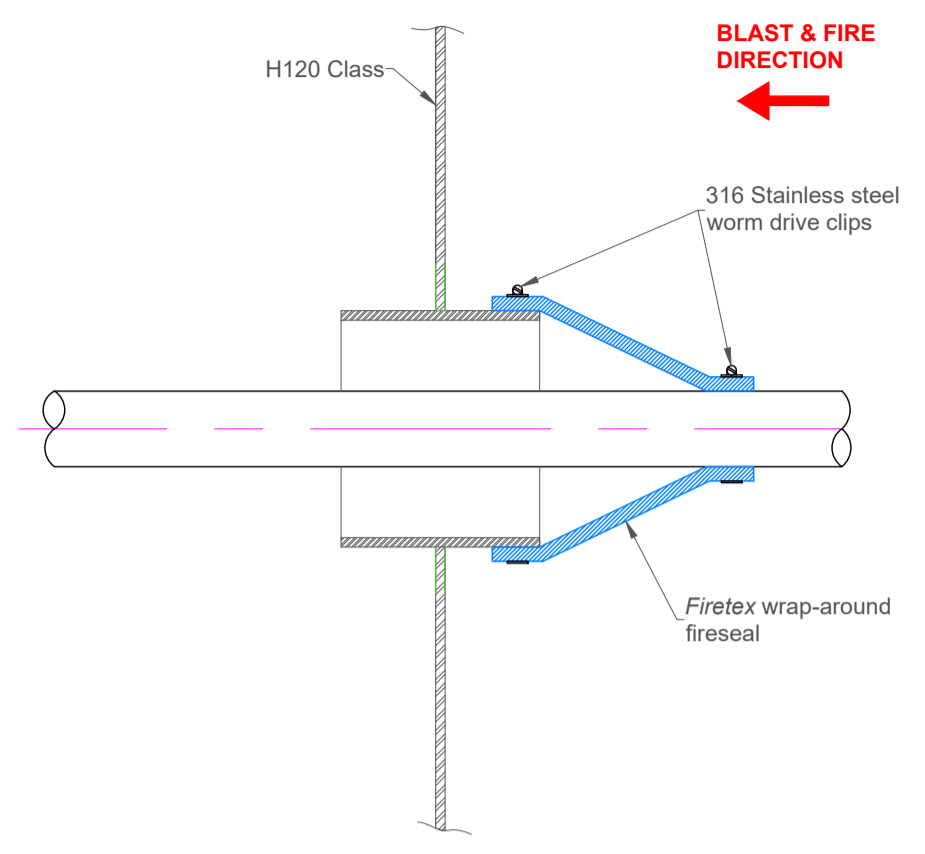


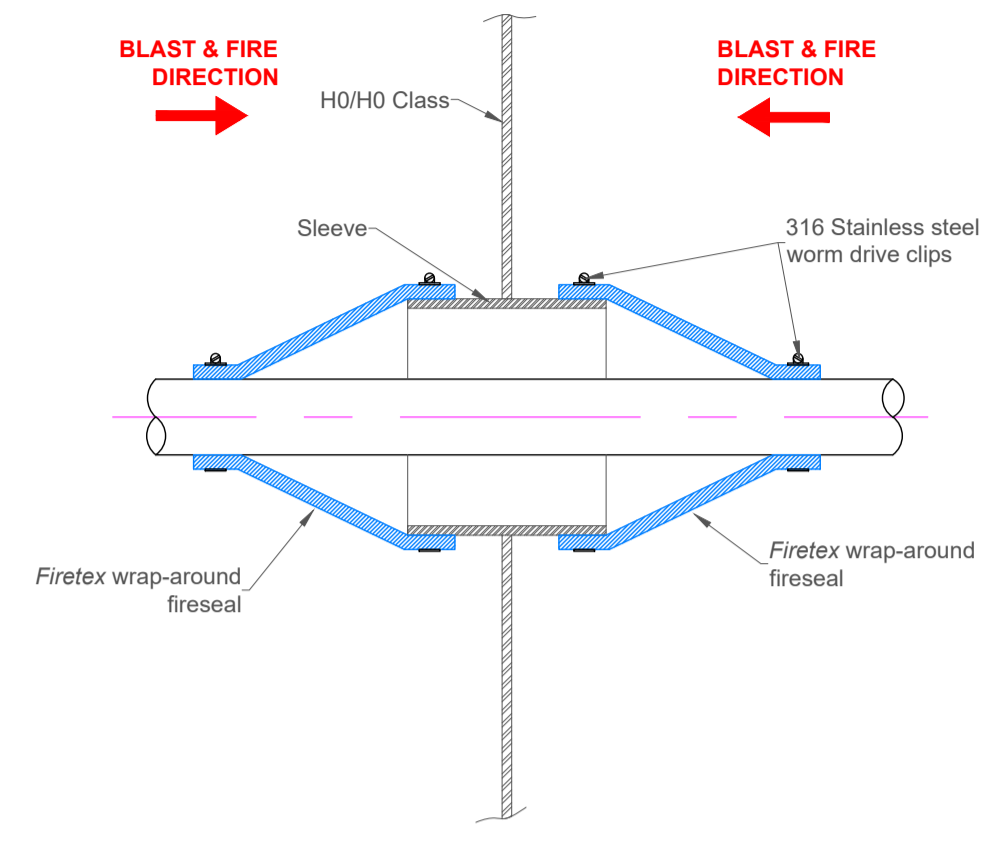
1



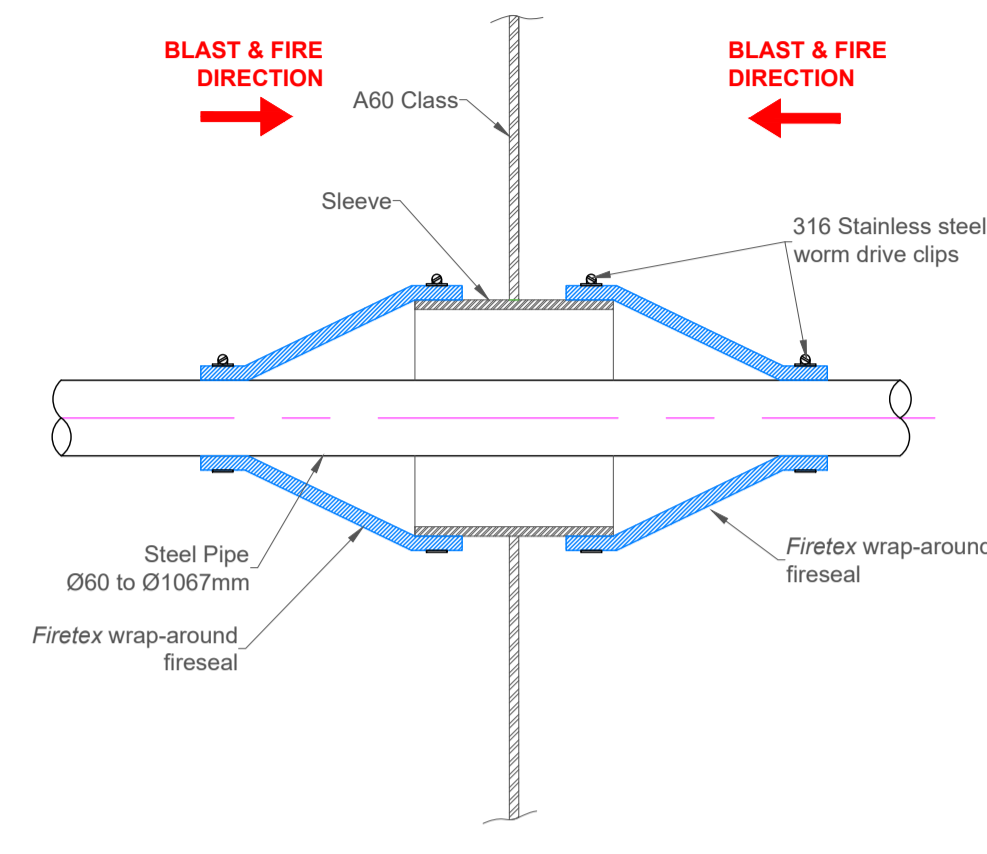
Single Sided Fire Seal System



Single Sided Fire Seal System

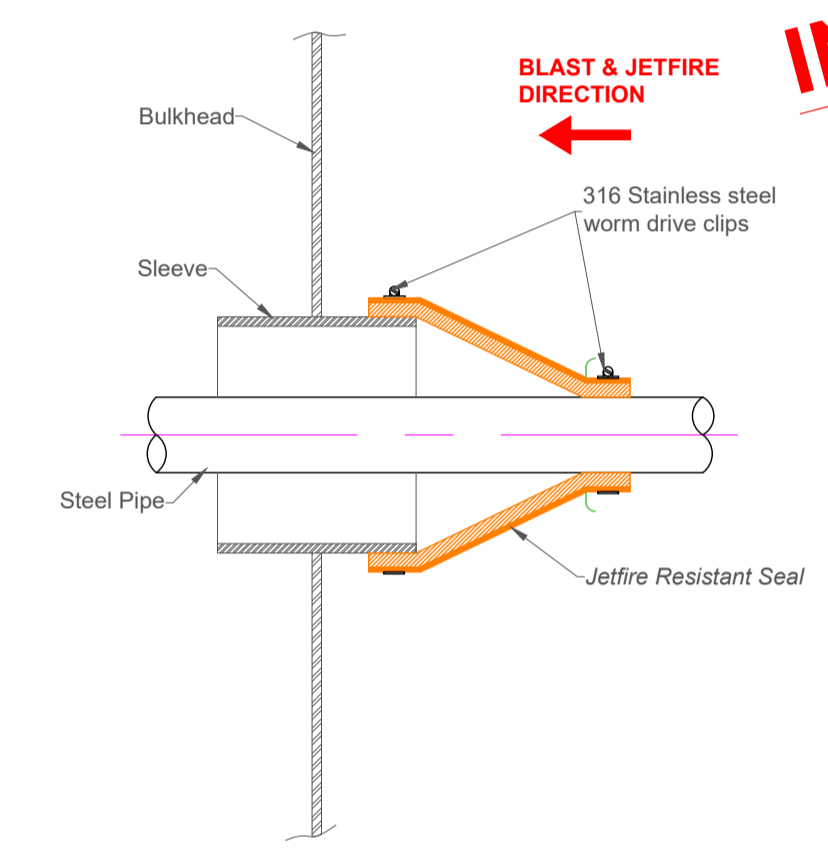


Double Sided Fire Seal System

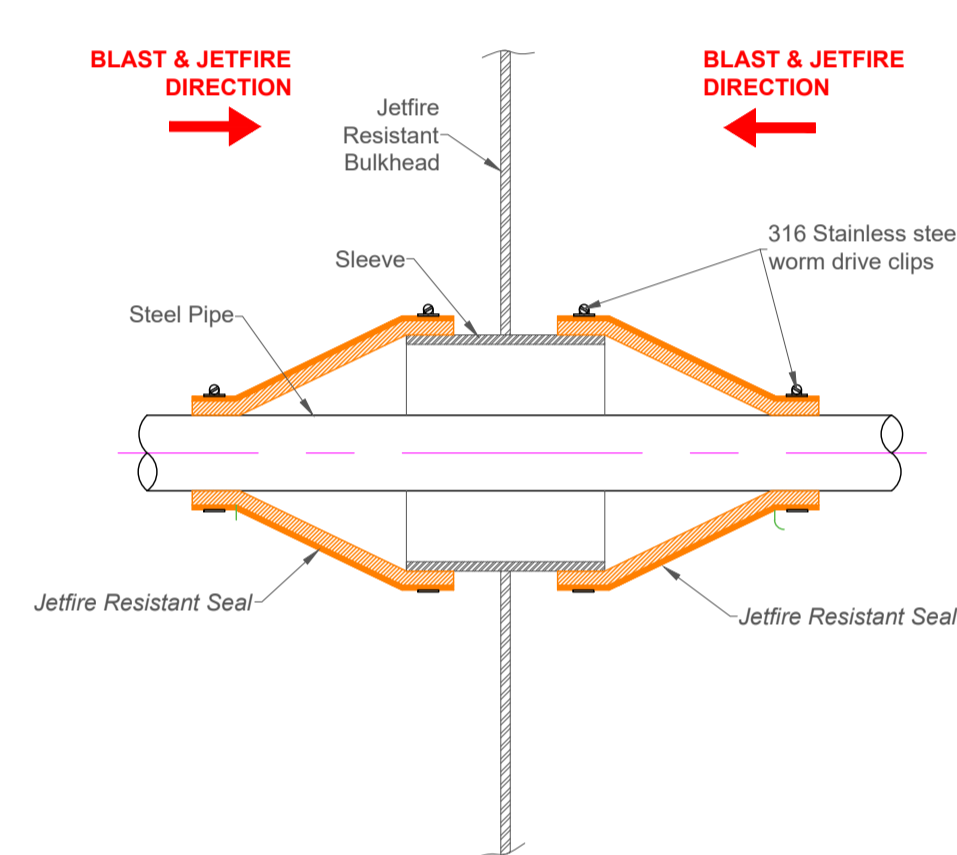


Double Sided Fire Seal System

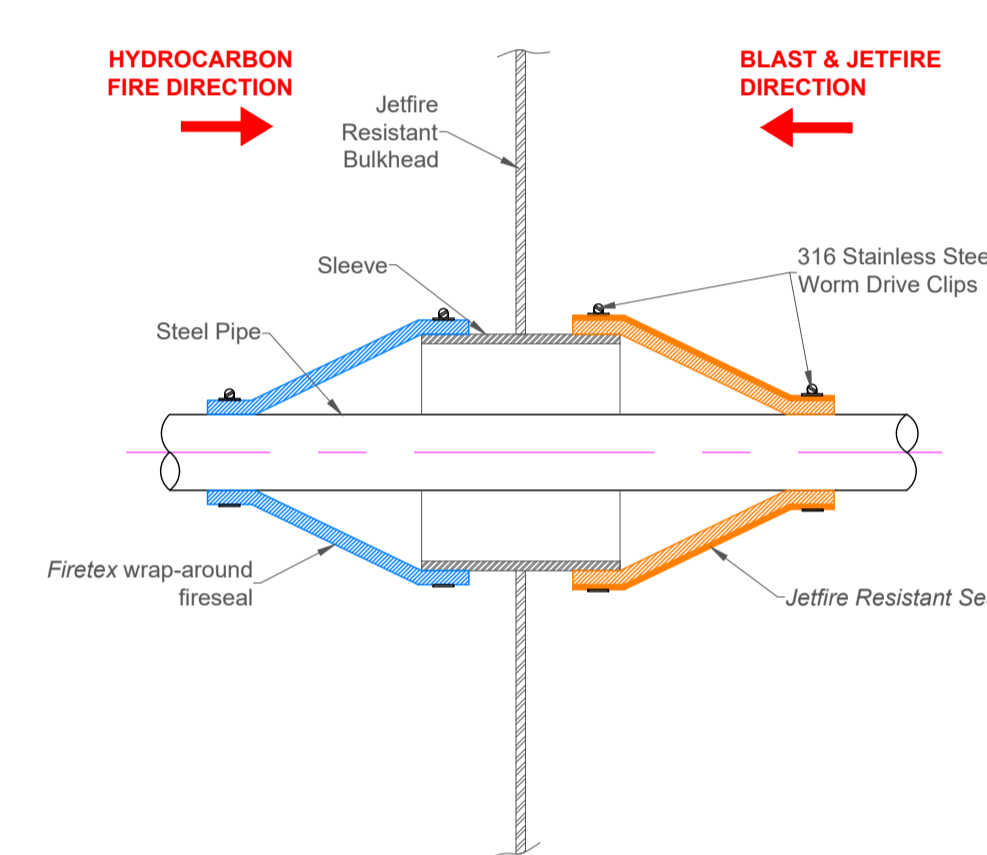
2



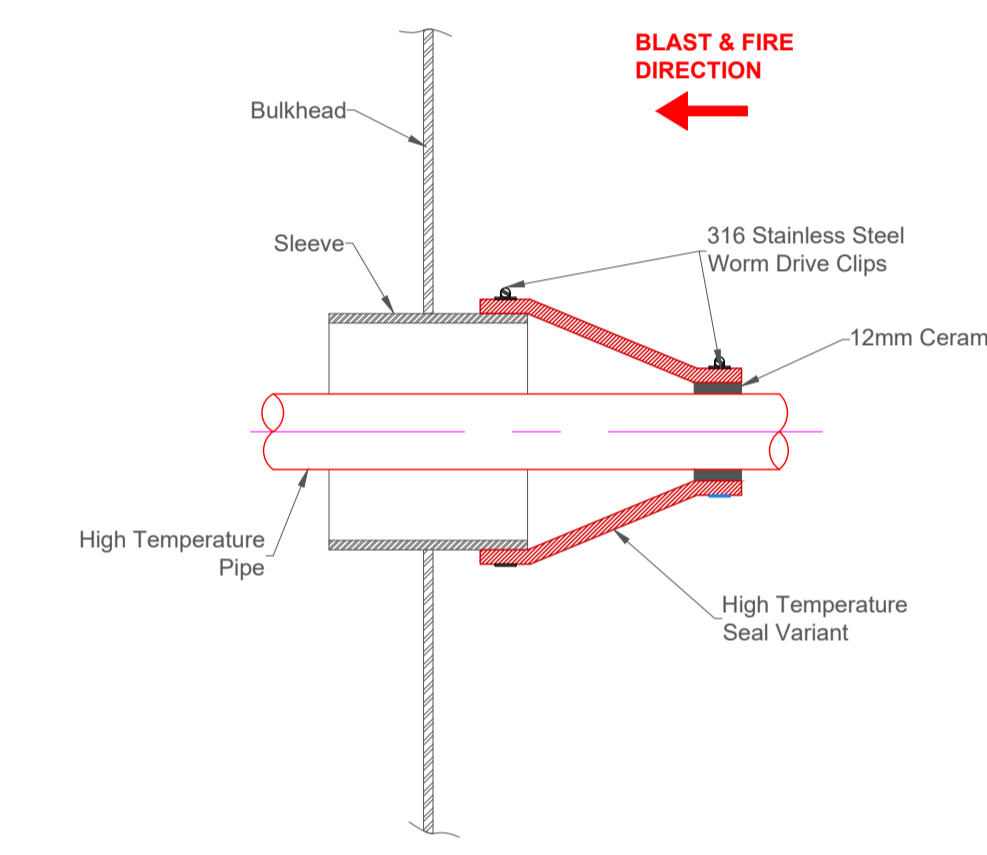
Single Sided Jetfire Resistant Fire Seal System



Double Sided Jetfire Resistant Fire Seal System



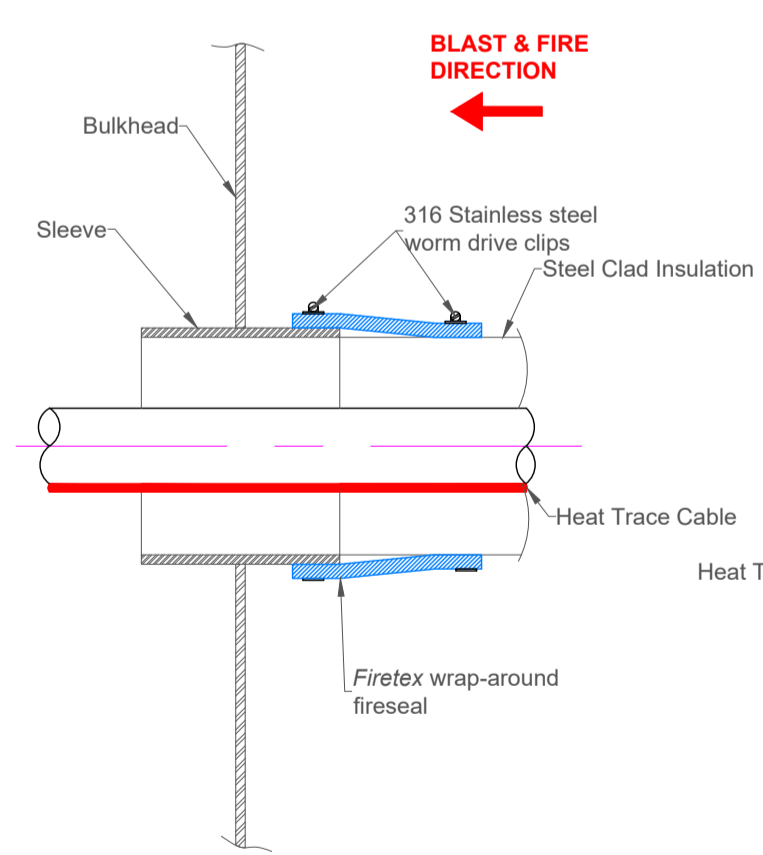
Double Sided Fire Seal System



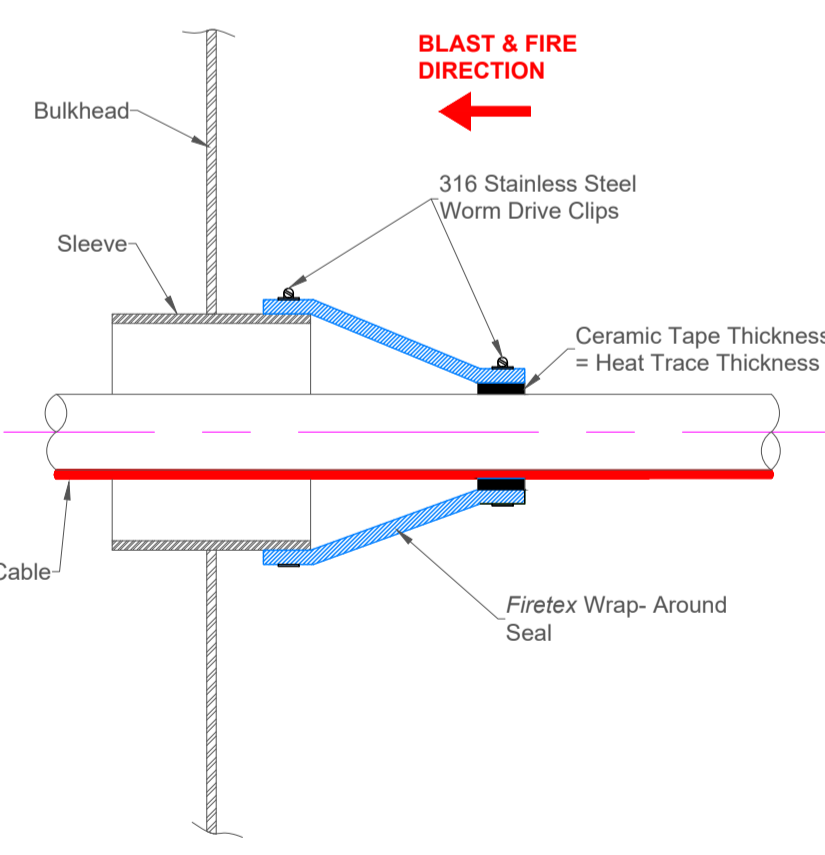
High Temperature Exhaust Seal Variant

INFORMATION ONLY

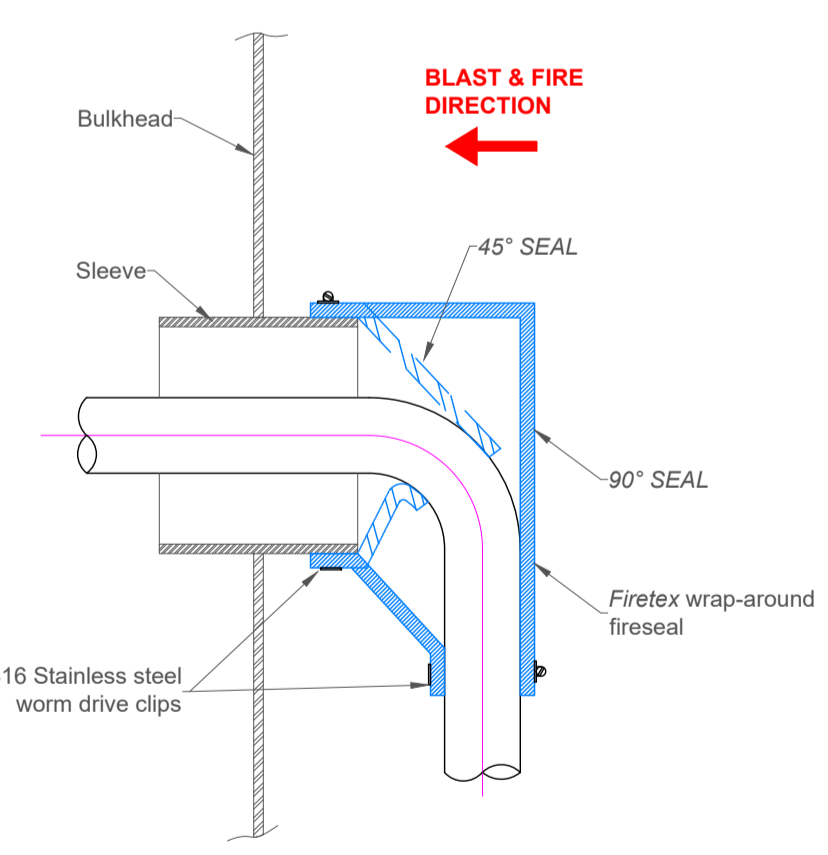
3



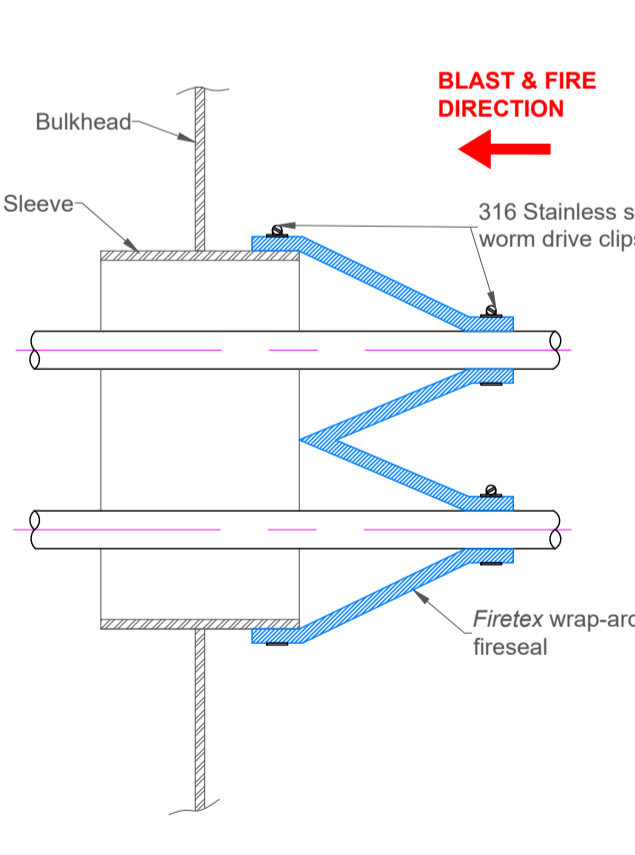
Heat Trace Example 1



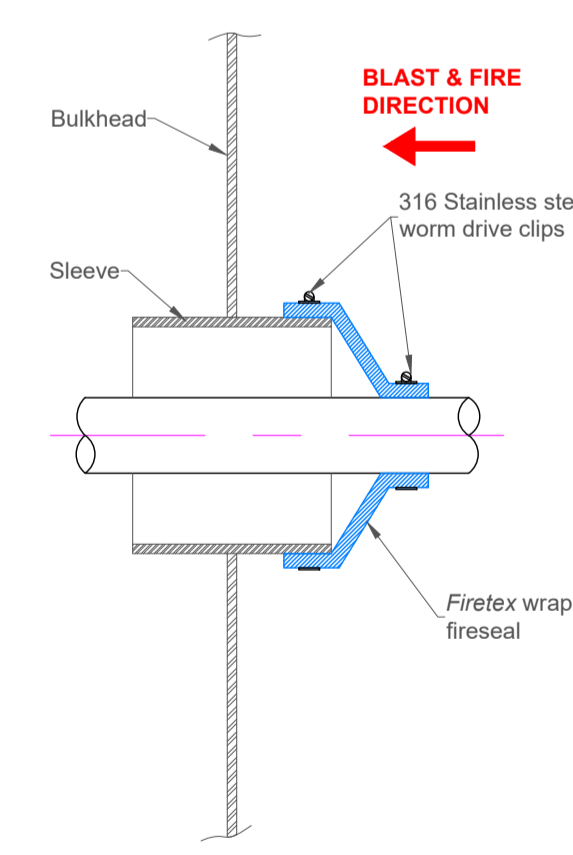
Heat Trace Example 2



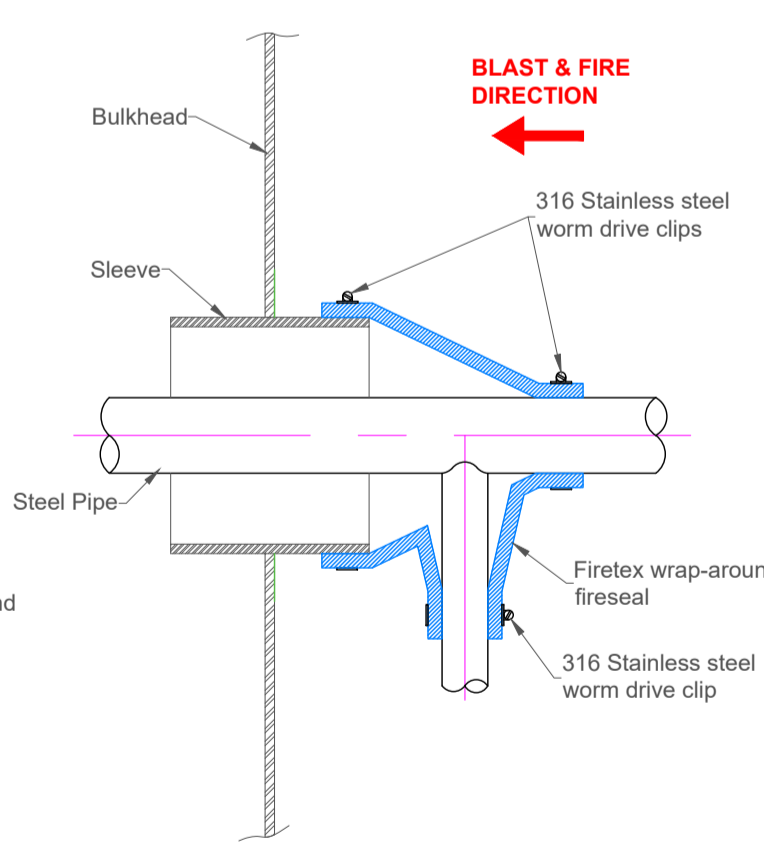
Elbow Variants



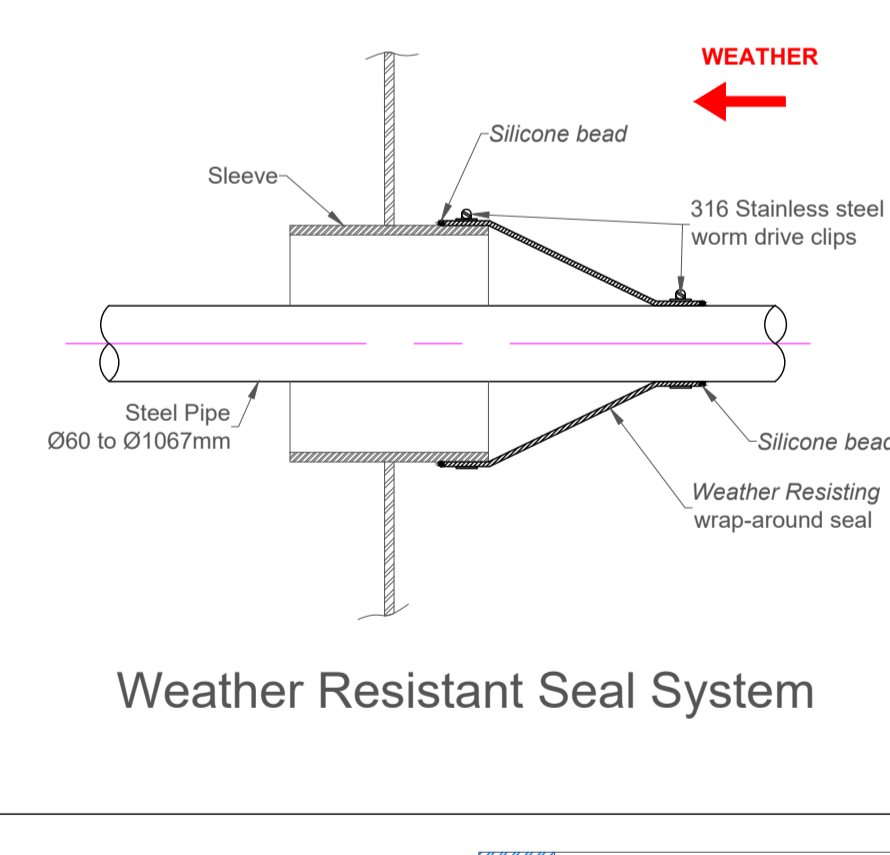
Multipipe Variants



Lampshade Variants



T-Piece Variants



Weather Resistant Seal System

4

Case By Case Confirmation

Case By Case Confirmation

NOTE - THE ORIENTATION OF THE SEAL COVERS BOTH DECK AND BULKHEAD

Cuff Length (All Cases)

Sleeves under Ø14" shall have cuffs at 30mm.
Sleeves Ø14" and over shall have cuffs at 70mm and be double clipped.

	HYDROCARBON RESISTANT FIRE SEAL
	JETFIRE RESISTANT FIRE SEAL
	HIGH TEMPERATURE SEAL VARIANT
	NON-RATED WEATHER RESISTANT SEAL SYSTEM

<p>TOLERANCES:</p> <p>NOTICE: THIS DRAWING IS THE PROPERTY OF MCL LOANED SUBJECT TO THE CONDITIONS THAT IT SHALL NOT BE COPIED, REPRODUCED, LOANED OR SUBMITTED TO OUTSIDE PARTIES FOR EXAMINATION WITHOUT WRITTEN CONSENT.</p>	REV	ALTERATION	DATE ALTERED	ALTERED BY	APPROVED BY	REV	ALTERATION	DATE ALTERED	ALTERED BY	APPROVED BY	CLIENT'S PROJECT:	THIRD ANGLE	<p>MCL HOUSE, ADAMS CLOSE, HEANOR GATE INDUSTRIAL PARK, HEANOR, DERBYSHIRE, DE75 7SW, ENGLAND T. +44 (0)1773 761226 E. info@mclunitex.com www.mclunitex.com</p>	SCALE:	TITLE:	<p>A1</p> <p>0</p>		
												INFORMATION ONLY			N.T.S.		GENERAL ARRANGEMENT OF PIPE PENETRATIONS SEAL VARIETIES	
												FIRST ORDER No:			DRAWN BY:		DATE:	DRAWING NUMBER:
												DR REF No:		8194	M.A.T.		07-01-2019	8194
													CHECKED BY:	DATE:				
													K.P.	10-01-2019				
													APPROVED BY:	DATE:				
													T.B.	10-01-2019				

C:\Vault\Designs\MCL\Unitex\Ltd\8194 MCL\8194.dwg