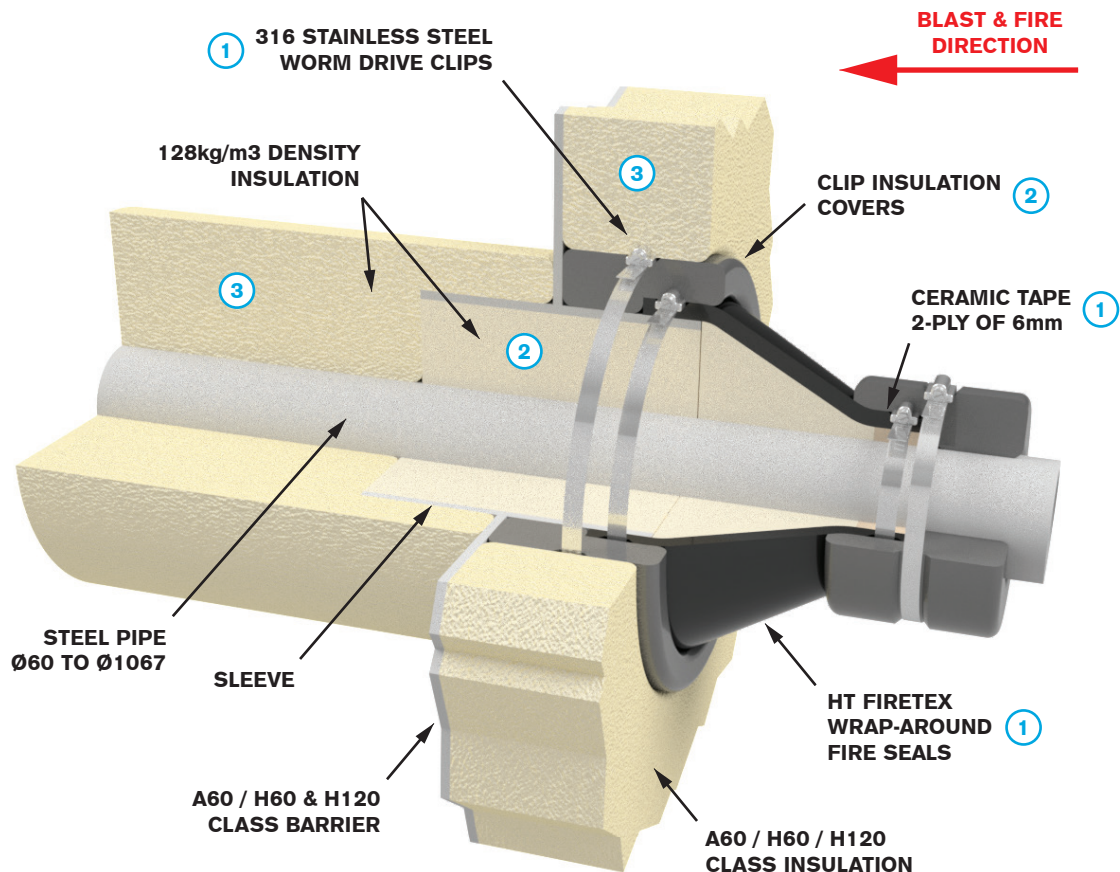


HT Firetex Single Sided Wrap Around A60 / H60 & H120 Rated Pipe Penetration Seals



- 1** PROVIDED BY MCL UNITEX LTD.
- 2** CAN BE PROVIDED ON SPECIAL REQUEST.
- 3** PROVIDED BY OTHERS.

www.mclunitex.com

Specification

Certification:	A60 / H60 & H120 Lloyds Register of Shipping, Certificate No. SAS F150135. Blast over-pressure to 1.35 bar g, Lloyds Register of Shipping Certificate No. LWT 401087/1 (Approvals are also held through other Certifying Authorities, details of which are available upon request).
Insulation:	Insulation to be installed as shown.
Movement:	Standard seal construction will accommodate +/- 25mm in any plane.
Installation:	Each seal is supplied with installation instructions, sealant and stainless steel worm drive clips.